

Specification Sheet

Cima Cove

Project Name _____
 Specifier _____ Date _____
 Fixture Type _____ Quantity _____
 Notes _____

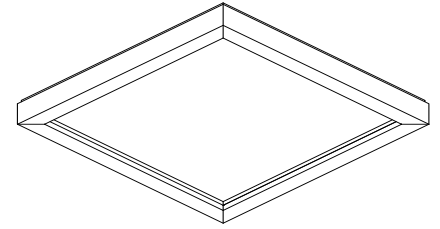


Figure A - View From Bottom

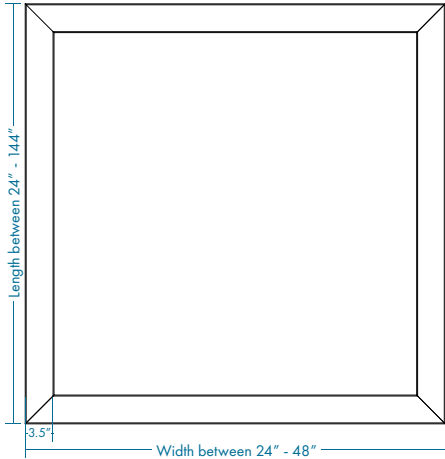
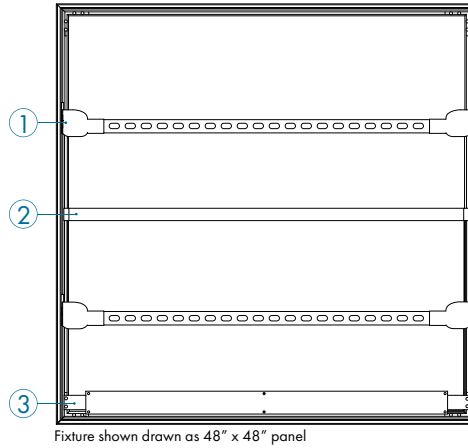


Figure B - View From Top



Fixture shown drawn as 48" x 48" panel

Figure C - View From Side

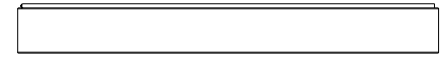
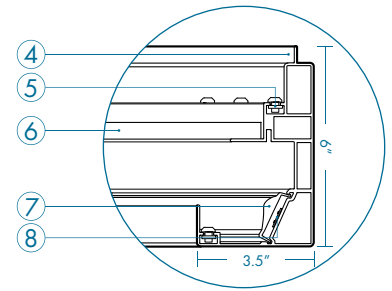


Figure D - Section View



Figure E - Call Out From Section View



Cima Cove Order Code - Use shortened code if provided

Length	Width	Color Temp	CRI	Power Output	Panel	Panel Finish	Frame Color	Frame Finish
<input type="text"/>	<input type="text"/>	<input type="text"/>	<input type="text"/>	<input type="text"/>	<input type="text"/>	<input type="text"/>	<input type="text"/>	<input type="text"/>
Specify: (must be 24" - 144") Length in inches	Specify: (must be 24" - 48") Length in inches	Options: (in Kelvin) 2700 3500 3000 4000	Options: 80 90	Options: (see Fig. F below) (low) (med) (high)	Options: (gyp) Gypsum (pla) Hexcore (aco) Acoustic (cmp) Custom Material	Options: (whp) White Paint (PMS#) Custom Color (cdp) Custom Print	Options: (whl) White (blf) Black (PMS#) Custom Color	Options: (mat) Matte (gla) Glossy

General

Customizable prefabricated cove lighting panel for interiors.

Width Range	24in - 48in	Rating	ETL rating pending
Length Range	24in - 144in	Ingress Protection Rating	IP20
Fixture Height	6in	Environment	Indoor Only
Fixture Weight	$\left(\frac{\text{Perimeter}}{\text{in}} * .2 \text{ lb/in} \right) + \left(\frac{\text{Width}}{\text{in}} * \frac{\text{Length}}{\text{in}} * .2 \text{ lb/in} \right) + 10 \text{ lb} = \text{Weight lb}$		

Driver

50W or 85W maximum programmable AC to DC constant power driver with an 470-2600mA output current

Dimensions	16.89in x 1.18in x 1.00in	Type	Programmable Output Current
Max Power per Driver	50, 85 W	Classification	US Class 2 (Class P)
Output Current	470-2600 mA	Input Voltage	120-277 Vac
Total Harmonic Distortion	< 20%	Input Frequency	50/60 Hz
Quantity Used	1-3	Total Power	use equation below
Dimming	0-10 V		

$$\text{Fixture Perimeter} \frac{\text{in}}{\text{convert to ft}} / 12 * \text{Power Chosen From Figure F} \frac{\text{W/ft}}{\text{W}} = \text{Total Power Output}$$

$$\text{Fixture Perimeter} \frac{\text{in}}{\text{convert to ft}} / 12 * \text{Lumen Output From Figure F} \frac{\text{lm/ft}}{\text{lm}} = \text{Total Lumen Output}$$

- 1) Mounting Bracket - secures fixture by ceiling mount or suspending
- 2) Panel Support Joists - keeps panel flat across fixture span
- 3) Driver Pan and Enclosure - houses driver and wires
- 4) Reveal in Extrusion - hides hardware from view
- 5) Corner Bracket - connects extrusion sections
- 6) Panel - provides surface for light to be projected onto
- 7) Asymmetric Optic - projects light to create a gradient on panel surface
- 8) LED Strip - illuminates fixture

Figure F - Power Output Options (per perimeter foot)

	Power	Lumen Output	Order Code
Low	0.5 W/ft	88 lm/ft	low
Medium	1.5 W/ft	265 lm/ft	med
High	4.5 W/ft	796 lm/ft	high

Lumen output is from LED strip

Lumen output is dependent on color temperature. The given output is based off of a 3500K LED at operating temperature.



121 New Britain Blvd.
Chalfont, PA 18914

Website: www.cimanetwork.com
Email: info@cimanetwork.com

Office: 267.308.0575
Fax: 267.308.0577

All data subject to change
March, 2021

Cima Cove
Page 1